



Whole Curved Surface Design

- High strength fuel tank can bear up to 100kg weight

Robot Welding Frame

- To ensure appearance consistency, less welding mark

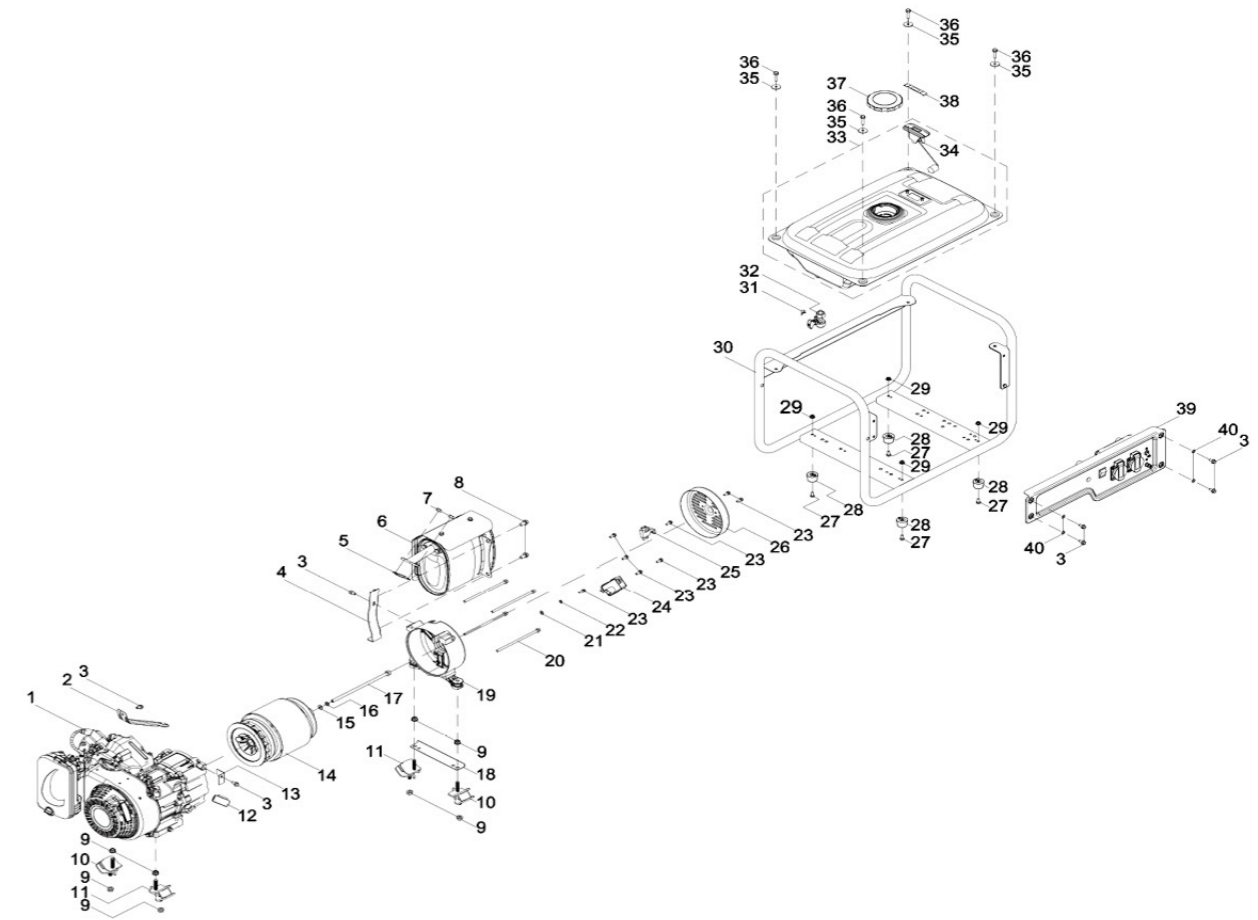
Less is More

- Simple design with all the necessary functions

Specification

Model	PB2500A		PB3300A		PB5000EA		PB6000EA		PB7000EA	
	Generator									
Starting System	Recoil/Electrical Starting									
Alternator Material	100% Cu									
Frequency (HZ)	50Hz	60Hz	50Hz	60Hz	50Hz	60Hz	50Hz	60Hz	50Hz	60Hz
Voltage(V)	230	120(120/240)	230	120(120/240)	230	120(120/240)	230	120(120/240)	230	120(120/240)
Rated Output (KW)	2	2	2.8	3	4	4.5	5	5.5	6	6.5
Max Output(KW)	2.2	2.2	3	3.3	4.5	5	5.5	6	6.5	7
THD(%)	≤20		≤20		≤25		≤25		≤25	
Running Time At 50% loading(H)	13	13	11.5	8.5	10	9	10	9.5	8.5	8
Fuel Tank Size (L)	13		13		13		23		23	
Noise dB(A)	96		96		97		97		97	
Insulation Grade	F		F		F		F		F	
	Engine									
Model	170F	170F	190FE	190FE	190FE	190FE	190FE	190FE	190FE	190FE
Engine Type	OHV, Air Cooling, 4 Stroke									
Displacement (cc)	208		208		420		420		420	
	Packing Details									
Outside Packing Dimensions (mm) (L xW x H)	610x450x475		610x450x475		775x545x605		775x545x605		775x545x605	
20FT Loading Qty	240pcs		240pcs		96pcs		96pcs		96pcs	
40FT Loading Qty	490pcs		490pcs		192pcs		192pcs		192pcs	
40HQ Loading Qty	490pcs		490pcs		256pcs		256pcs		256pcs	
Net Weight (kg)	39		46		78		79		83	
Certifications	CE+EC	/	CE+EC	/	CE+EC	/	CE+EC	/	CE+EC	/

Materials Table



No.	Part	Specification	Quantities	Piece(S)
1	Engine		1	PCS
2	Air Filter Bracket	QF2.0- II	1	PCS
3	Bolt	GB5789 M6 x 12	7	PCS
4	Muffler Support	QF2.0	1	PCS
5	Gasket, Muffler	168FA	1	PCS
6	Muffler	PB2500	1	PCS
7	Nut	GB6170 M8	2	PCS
8	Bolt	GB5787 M8 x 16	2	PCS
9	Nut	GB6177.1 M8	8	PCS
10	Damping Pad	QF2.0 NR	2	PCS
11	Damping Pad	QF2.0 NR	2	PCS
12	Clip		1	PCS
13	Support Block	QF2.0	1	PCS
14	Alternator	PB3000	1	PCS
15	Washer	GB97.2 φ8	1	PCS
16	Washer	GB93 φ8	1	PCS
17	Bolt	GB5789 M8 x 1 x 210	1	PCS
18	Reinforcement Support	QF2.0	1	PCS
19	Rear Bracket	QF2.0	1	PCS
20	Bolt	GB5789 M6 x 155	4	PCS

No.	Part	Specification	Quantities	Piece(S)
21	Washer	GB97.2 φ6	1	PCS
22	Washer	GB93 φ6	1	PCS
23	Bolt	GB5789 M5 x 14	8	PCS
24	Voltage Regulator	QF2.0 200V~300V	1	PCS
25	Brush	QF2.0	1	PCS
26	End Cover	QF2.0	1	PCS
27	Screw	GB818 M6 x 12	4	PCS
28	Damping Pad	QGZ50-32	4	PCS
29	Nut, M6	GB6177.1 M6	4	PCS
30	Frame Assembly	PBA	1	PCS
31	Clamp	168FA	1	PCS
32	Fuel Switch	QF2.0	1	PCS
33	Fuel Tank	PH3500EA	1	PCS
34	Fuel Meter	PH3500EA	1	PCS
35	Washer	φ6.5 x 2 x φ25	4	PCS
36	Bolt	GB5789 M6 x 25	4	PCS
37	Fuel Cap	QF5.0	1	PCS
38	Oil Sense Clip	QF2.0- II	1	PCS
39	Control Panel	PB3000A	1	PCS
40	Gasket, Drain Bolt	168FA	4	PCS